

INSTALLATION GUIDE

Product description:

This part replaces OEM part number 5Q0505541A.

Contents (parts per pack):

2 x 'A' Polyurethane Bushes 4 x 'B' Polyurethane Bushes 2 x Stainless steel sleeves 1 x Grease

*Please read the complete fitting instructions and check package components before fitment.
These fitting instructions are to be used as a guide and in conjunction with workshop manual.*

It is recommended that:

- all work to be carried out by a licensed technician;*
 - all safety precautions adhered to;*
 - wheel alignment to be checked and adjusted as required after any suspension work.*
- All fasteners must be tensioned to manufacturer's torque settings.*

Fitting Instructions:

1. Remove the rear trailing arm from the car.
2. Push out the rubber bush from the arm. Fig A.
3. Remove any sharp edges and clean any dirt or corrosion from the arm bore.
4. Fit the new large 'A' PU bush into the arm, with the smaller diameter facing towards the outer face of the arm. Fig B.
5. Insert the two smaller 'B' PU bushes from both sides into the 'A' PU. Fig B.
6. Apply some of the supplied grease in the bore of the bush and insert the stainless steel sleeves into the bore. Fig B.
7. Fit back trailing arm to the car. Tension all hardware to manufacturers recommended torque settings.



Fig A.

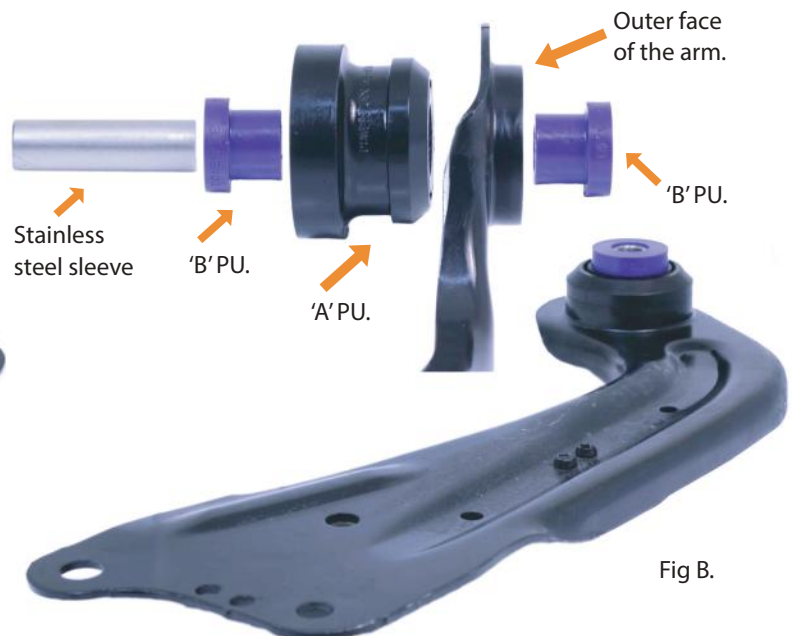


Fig B.