

PART NUMBER

PFR85-810

DESCRIPTION

REAR BEAM MOUNTING BUSH

INSTALLATION GUIDE

Product description:

This part replaces OEM part number 5Q0501541C.

Contents (parts per pack):

2 x Polyurethane Bushes 2 x Stainless steel sleeves 1 x Grease

Please read the complete fitting instructions and check package components before fitment. These fitting instructions are to be used as a guide and in conjunction with workshop manual. It is recommended that:

- all work to be carried out by a licensed technician;*
 - all safety precautions adhered to;*
 - wheel alignment to be checked and adjusted as required after any suspension work.*
- All fasteners must be tensioned to manufacturer's torque settings.*



Fitting Instructions:

1. Remove the rubber bushes from the rear beam mounts.
2. Clean any sharp edges, dirt and corrosion from the mounts. Fig A.
3. Fit the new PU bushes with the larger diameter facing towards the outside of the car. Fig B.
4. Apply some of the supplied grease in the bore of the bushes and insert the stainless steel sleeves into the bores. Fig B.
5. Fit back rear beam to the car. Tension all hardware to manufacturers recommended torque settings.

Remove rubber bush and clean the mount.



Fig A.

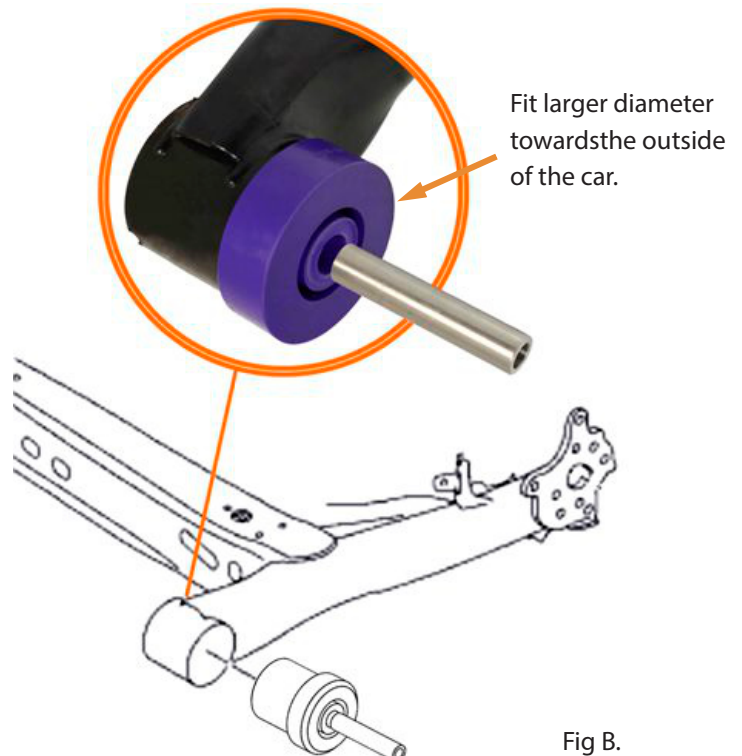


Fig B.