



PART NUMBER

PFR57-122

DESCRIPTION

TRANSMISSION MOUNT BUSH

INSTALLATION GUIDE

Contents (parts per pack):

2 x Polyurethane A Bushes
1 x Stainless Steel Sleeve

2 x Polyurethane B Washer Inserts
1 x Grease

Please read the complete fitting instructions and check package components before fitment.

These fitting instructions are to be used as a guide and in conjunction with workshop manual.

It is recommended that:

- all work to be carried out by a licensed technician;
- all safety precautions adhered to;
- wheel alignment to be checked and adjusted as required after any suspension work.

All fasteners must be tensioned to manufacturer's torque settings.



Fitting Instructions:

1. Remove the original bushes from transmission mount, clean any dirt and corrosion from the bores in the mount. Make sure to remove any sharp edges from the bore.
2. Fit polyurethane A bushes into the bore of the mount. As shown in *Figure 1*.
3. Apply supplied grease into bore of the bush and around top faces and fit in the stainless steel sleeve.
5. To increase rigidity of bush fit polyurethane B insert bushes into polyurethane A bushes. As shown in *Figure 2*.
6. Refit bracket. Tension all hardware to manufacturers recommended torque settings.

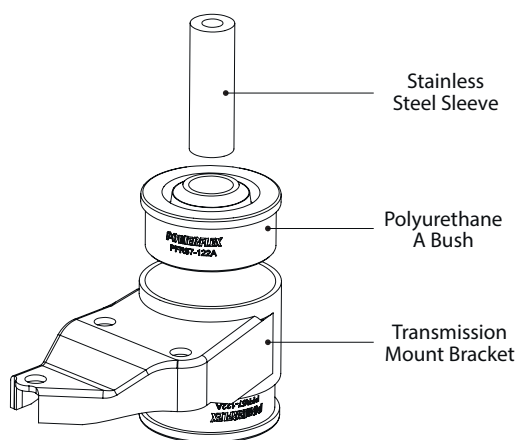


Figure 1: Exploded Assembly

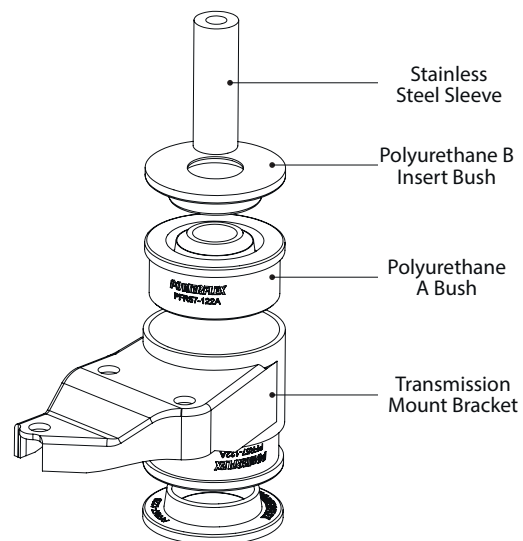


Figure 2: Exploded Assembly - Increased Rigidity