

# POWERFLEX®

## PART NUMBER

# PFF26-116

## DESCRIPTION

### Rear Anti Roll Bar Drop Link Bush

## INSTALLATION GUIDE

### Contents (parts per pack):

- 2 x Polyurethane Bushes
- 2 x Stainless Steel Sleeves
- 1 x PTFE/Silicone Grease

Please read the complete fitting instructions and check package components before fitment. These fitting instructions are to be used as a guide and in conjunction with workshop manual.

It is recommended that:

- all work to be carried out by a licensed technician;
- all safety precautions adhered to;
- wheel alignment to be checked and adjusted as required after any suspension work.
- All fasteners must be tensioned to manufacturer's torque settings.

### Fitting Instructions:

1. Remove the original rubber bush from the arm, and clean any dirt and corrosion from the bore in the arm.
2. Press the cotton reel style bush into the bore of the drop link, as shown in figure 1.

**Tip: Apply some washing up to the bush and the bore of the drop link to ease fitment of the bush.**

3. Apply some of the supplied grease to the bore of the bush.
4. Insert the stainless steel sleeve into the bore of the bush until sitting flush on both sides.
5. Refit the drop link bush to the lower rear arm and the anti-roll bar. Tension all hardware to manufacturers recommended torque settings

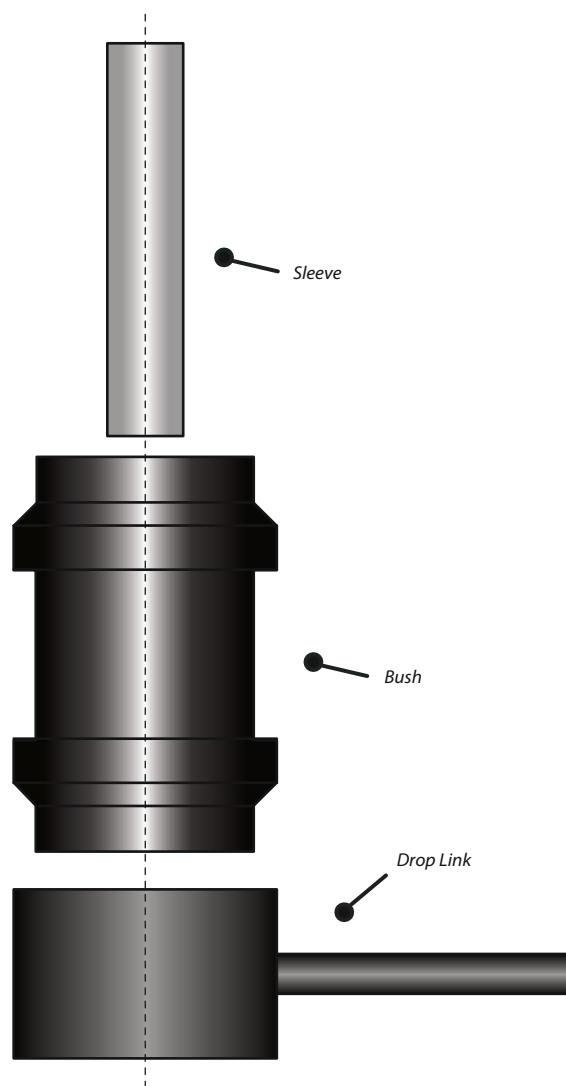


Figure 1



Figure 2



Figure 3