

INSTALLATION GUIDE

Contents (parts per pack):

2x A Bushes 2x B Bushes
2x Aluminum Sleeves 1 x Grease

Please read the complete fitting instructions and check package components before fitment. These fitting instructions are to be used as a guide and in conjunction with workshop manual.

It is recommended that:

- all work to be carried out by a licensed technician;
- all safety precautions adhered to;
- wheel alignment to be checked and adjusted as required after any suspension work.

All fasteners must be tensioned to manufacturer's torque settings.



Fitting Instructions:

1. Remove the rubber bushes from the front mounts of the rear sub frame of the car.
2. Clean any dirt or debris from around the bore of the bush mounts.
3. Fit 'A' bush from the top and fit 'B' bush from the bottom of the mount Fig A.
4. Apply some of the supplied grease in the bore of the bushes and push the Aluminum sleeves into the bore of the bushes Fig A.
5. Refit subframe and tension all hardware to manufacturers recommended torque settings.

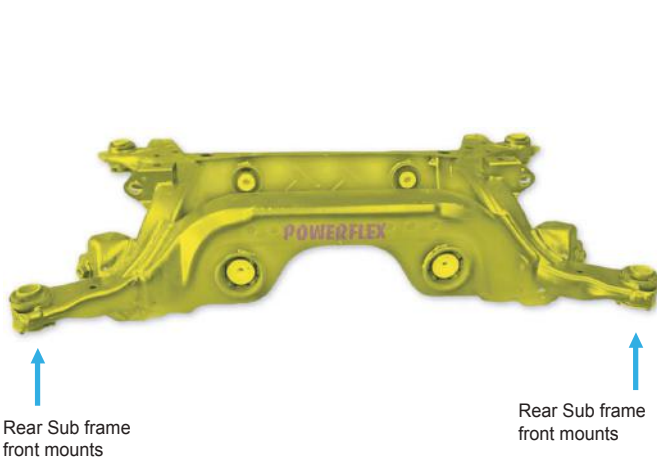


Fig A.

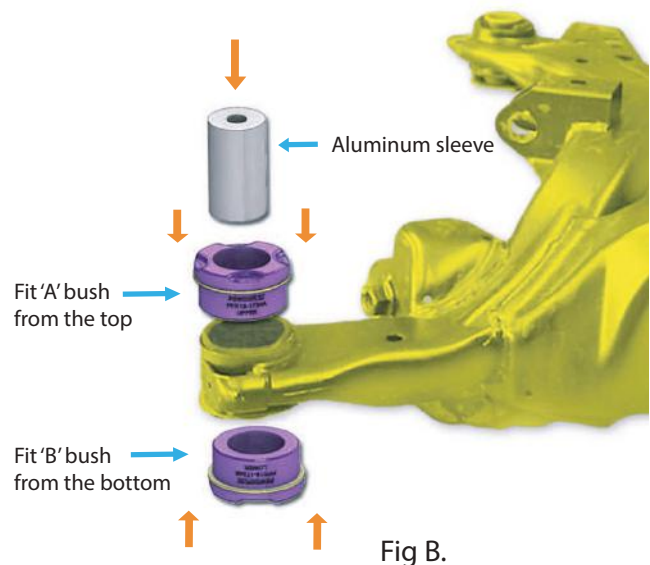


Fig B.