

POWERFLEX®

PART NUMBER

PFF5K-101/201

DESCRIPTION

FRONT WISHBONE REAR BUSH & BRACKET

INSTALLATION GUIDE

Contents (parts per pack):

- | | |
|---------------------------|--|
| 2 x Polyurethane A Bushes | 2 x Rear Wishbone Bush Brackets (1 Left & 1 Right) |
| 2 x Polyurethane B Bushes | 1 x PTFE/Silicone Grease |
| 2 x Polyurethane C Bushes | |

Please read the complete fitting instructions and check package components before fitment. These fitting instructions are to be used as a guide and in conjunction with workshop manual.

It is recommended that:

- all work to be carried out by a licensed technician;
- all safety precautions adhered to;
- wheel alignment to be checked and adjusted as required after any suspension work.
- All fasteners must be tensioned to manufacturer's torque settings.



Fitting Instructions:

Replacing this bush can be done on the vehicle, although it is easier to do if you remove the wishbone and bracket from the vehicle first, which will require dropping the front subframe.

1. Remove the original bush and bracket from the wishbone. You will need to lever or use a puller to pull the bush off the wishbone end. Make sure you note which way the bracket faces on the vehicle.
2. Clean any dirt and corrosion from the hexagonal end of the wishbone.
3. Slide the PU washer marked 5-101C onto the wishbone with the stepped face facing towards the arm, providing clearance for the weld and then slide 5-101A bush onto the wishbone, with the flange butting up against the PU washer as shown in Fig 2. Apply a small amount of the supplied grease between the A and C parts.
4. Apply some of the supplied grease to the bore of the B bush and the outer body of the A bush.
5. Present the wishbone to the bracket ensuring that both A and B bushes engage correctly and re-fit the wishbone to the vehicle.
6. Tension all hardware to the manufacturer's recommended torque settings.



Figure 1

Assemble parts in this orientation

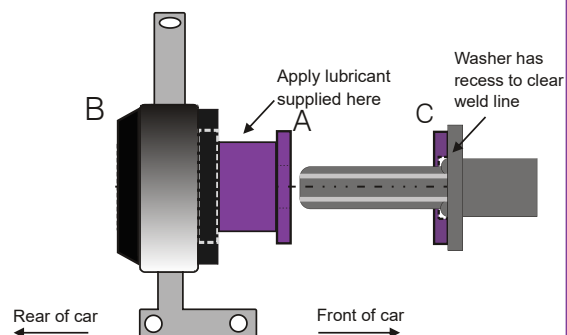


Figure 2