

# POWERFLEX®

## PART NUMBER

# PFF46-1002

## DESCRIPTION

## FRONT WISHBONE REAR BUSH

## INSTALLATION GUIDE

### Contents (parts per pack):

- 2 x Polyurethane A Bushes
- 1 x PTFE/Silicone Grease
- 4 x Polyurethane B Bushes
- 2 x Stainless Steel Sleeves
- 2 x Zinc Plated Mild Steel Outer Shells

Please read the complete fitting instructions and check package components before fitment. These fitting instructions are to be used as a guide and in conjunction with workshop manual.

It is recommended that:

- all work to be carried out by a licensed technician;
- all safety precautions adhered to;
- wheel alignment to be checked and adjusted as required after any suspension work.
- All fasteners must be tensioned to manufacturer's torque settings.



### Fitting Instructions:

1. Remove the original rubber bush from the front wishbone rear position.
2. Clean any dirt and corrosion from the bore of the arm and file off any sharp edges.
3. Push in the zinc plated mild steel outer shell into the bore of the arm with the smaller diameter body being pushed in first from the top of the arm.
4. Push polyurethane part A, at an angle, into the bore of the metal shell with the chamfered edge being pushed in first.

**Tip: apply some washing up liquid around the bush for ease of assembly.**

5. Place polyurethane part B on the top and bottom of part A, as shown in Figure 1.

6. Apply some of the supplied grease into the bore of the polyurethane bushes and push the stainless steel sleeve into the bore of the bush so that it sits flush.

7. Re-fit the front wishbone back to the vehicle and tension all hardware to manufacturers recommended torque settings.

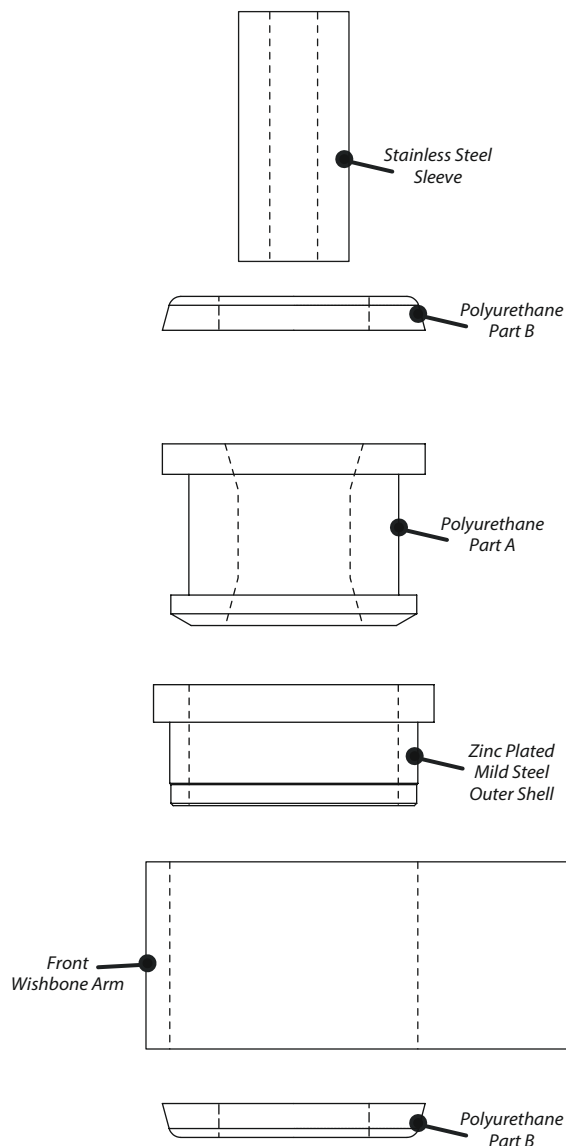


Figure 1