



PART NUMBER

PFF32-109

DESCRIPTION

FRONT RADIUS ARM REAR BUSH

INSTALLATION GUIDE

Product Description:

This part replaces OE numbers NRC4514 and ANR6971.

Contents (parts per pack):

- 4 x Polyurethane bushes
- 2 x M20 nylock nuts
- 2 x M20 steel washers
- 1 x PTFE / Silicone Assembly Grease

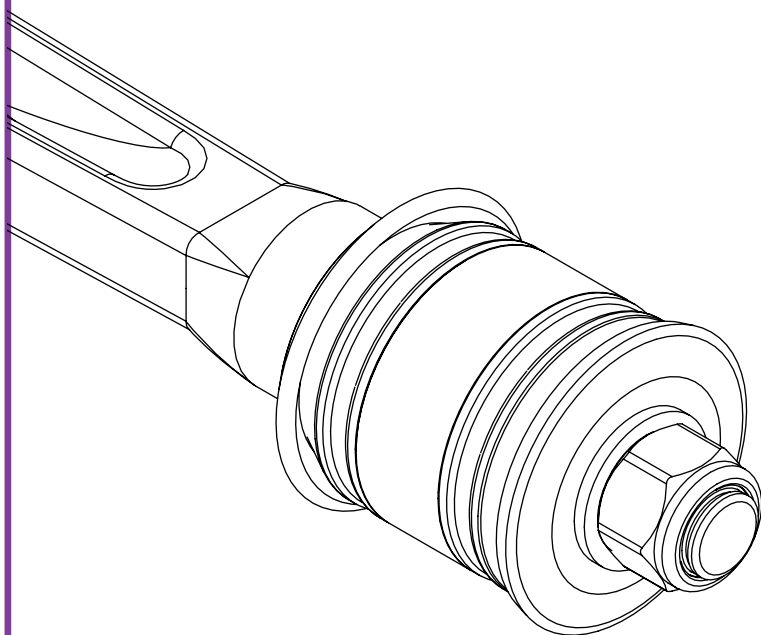
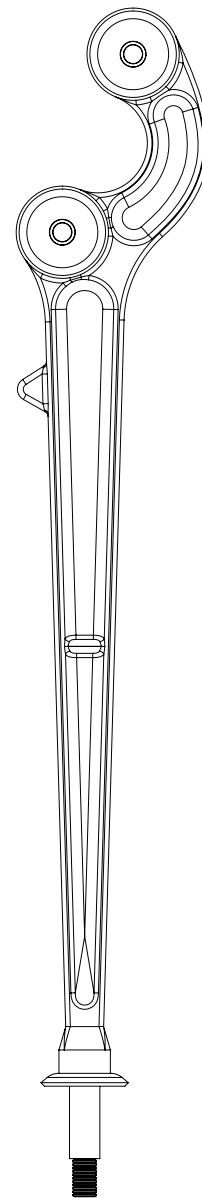
Please read the complete fitting instructions and check package components before fitment. These fitting instructions are to be used as a guide and in conjunction with workshop manual.

It is recommended that:

- all work to be carried out by a licensed technician;
 - all safety precautions adhered to;
 - wheel alignment to be checked and adjusted as required after any suspension work.
- All fasteners must be tensioned to manufacturer's torque settings.

Fitting Instructions:

1. Remove the original bush from the car, clean any dirt and corrosion from the bore in the chassis. Remove all sharp edges using a file.
2. Fit the polyurethane bushes into the bore into each side of the chassis bore.
3. Apply some of the supplied PTFE/ Silicone grease to the bore and mounting faces of each bush and insert pin end of the arm into the bush.
4. Fit the original washer onto the end of the bush assembly, followed by the supplied M20 washer and M20 nylock nut.
5. Re-tighten all hardware to manufacturers recommended torque settings.



Polyurethane Bush



Chassis



Polyurethane Bush



Original Washer



M20 Washer



M20 Nylock Nut

