

POWERFLEX®

PART NUMBER

PFF27-704

DESCRIPTION

FRONT LOWER TRACK CONTROL ARM INNER BUSH

INSTALLATION GUIDE

Contents (parts per pack):

- 2 x Polyurethane Bushes
- 2 x Stainless Steel Sleeves
- 1 x PTFE/Silicone Grease

Please read the complete fitting instructions and check package components before fitment. These fitting instructions are to be used as a guide and in conjunction with workshop manual.

It is recommended that:

- all work to be carried out by a licensed technician;
- all safety precautions adhered to;
- wheel alignment to be checked and adjusted as required after any suspension work.
- All fasteners must be tensioned to manufacturer's torque settings.

Fitting Instructions:

1. Remove the original bush from the arm, including the outer shell.
2. Clean any dirt or burrs from the bore in the arm, removing any sharp edges with a rounded file.
3. Apply some washing up liquid to the bore of the arm and press the polyurethane bush in until fully through the arm.

Tip: If you are having trouble pressing the bush in, try pressing the bush in at a slight angle so that one part of the lip is already in the bore of the shell, and when steady pressure is applied, the rest of the lip should follow.

4. Apply the supplied grease to the bore and the mounting faces of each bush and press in the stainless-steel sleeve.
5. Refit the arm to the vehicle and tension all hardware to the manufacturer's recommended torque settings.

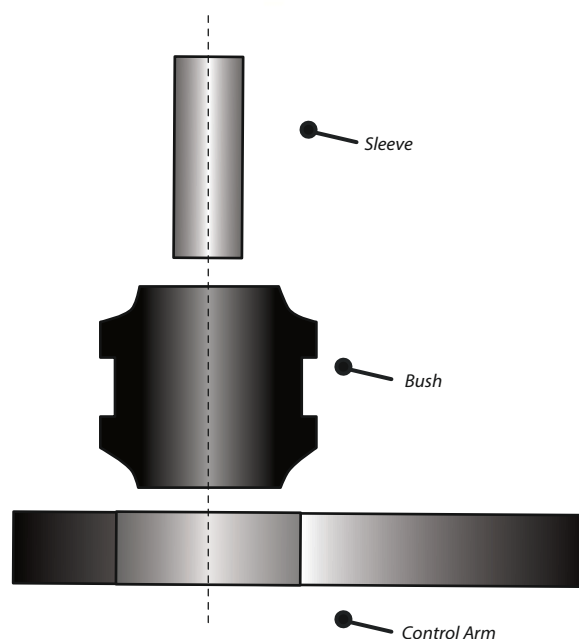


Figure 1



Figure 2