

# POWERFLEX®

## PART NUMBER

# PFF27-704

## DESCRIPTION

# FRONT LOWER TRACK CONTROL ARM INNER BUSH

## INSTALLATION GUIDE

### Contents (parts per pack):

- 2 x Polyurethane Bushes
- 2 x Stainless Steel Sleeves
- 1 x PTFE/Silicone Grease

Please read the complete fitting instructions and check package components before fitment. These fitting instructions are to be used as a guide and in conjunction with workshop manual.

It is recommended that:

- all work to be carried out by a licensed technician;
- all safety precautions adhered to;
- wheel alignment to be checked and adjusted as required after any suspension work.
- All fasteners must be tensioned to manufacturer's torque settings.

### Fitting Instructions:

1. Remove the original bush from the arm, including the outer shell.
2. Clean any dirt or burrs from the bore in the arm, removing any sharp edges with a rounded file.
3. Apply some washing up liquid to the bore of the arm and press the polyurethane bush in until fully through the arm.

**Tip: If you are having trouble pressing the bush in, try pressing the bush in at a slight angle so that one part of the lip is already in the bore of the shell, and when steady pressure is applied, the rest of the lip should follow.**

4. Apply the supplied grease to the bore and the mounting faces of each bush and press in the stainless-steel sleeve.
5. Refit the arm to the vehicle and tension all hardware to the manufacturer's recommended torque settings.

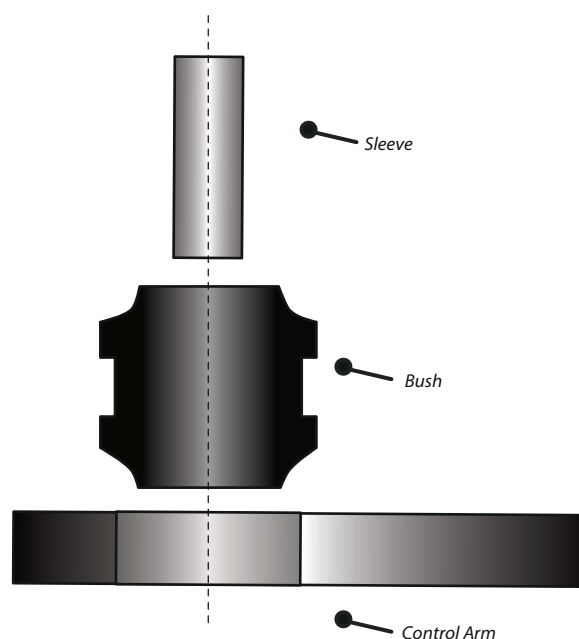


Figure 1



Figure 2