



PART NUMBER

PFF27-402

DESCRIPTION

FRONT CONTROL ARM REAR BUSH

INSTALLATION GUIDE

Contents (parts per pack):

2 x A Polyurethane Bushes 2 x B Polyurethane Bushes
2 x Stainless Steel Sleeves 1 x PTFE/Silicone Grease

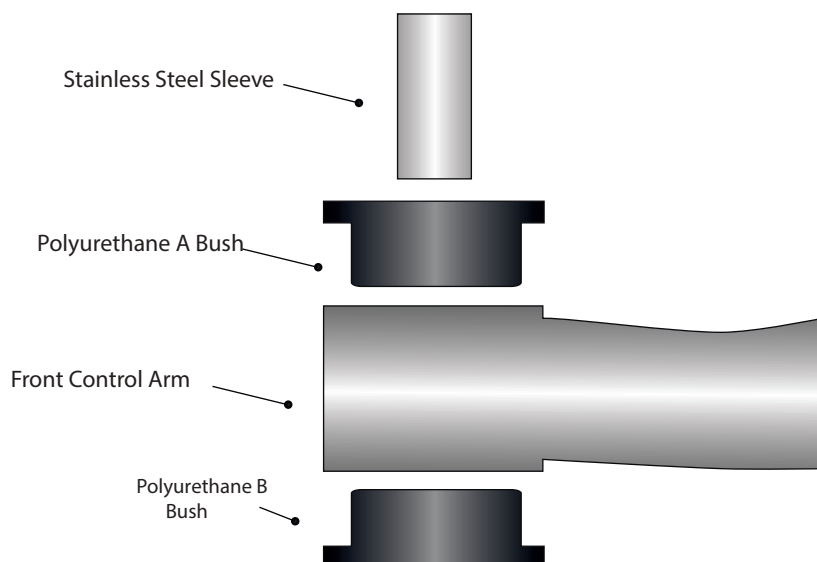
Please read the complete fitting instructions and check package components before fitment. These fitting instructions are to be used as a guide and in conjunction with workshop manual.

It is recommended that:

- all work to be carried out by a licensed technician;
- all safety precautions adhered to;
- wheel alignment to be checked and adjusted as required after any suspension work.
- All fasteners must be tensioned to manufacturer's torque settings.

Fitting Instructions:

1. Remove the original rubber bush including the outer shell from the wishbone.
2. Clean any dirt or corrosion from the bore of the arm, and file off any sharp edges with a rounded file to prevent damaging the polyurethane bush.
3. Push the thicker A Bush into the wishbone from the rear of the wishbone as shown in Fig 1.
4. Push the thinner B Bush in from the front of the wishbone as shown in Fig 1.
5. Apply some of the supplied grease to the bore of the bush and push in the stainless steel sleeve.
6. Refit the wishbone to the vehicle and tension all hardware to the manufacturer's recommended torque settings.



FRONT OF CAR