

POWERFLEX®

PART NUMBER

PFF26-101G

DESCRIPTION

Front Wishbone Front Bush Adjustable

INSTALLATION GUIDE

Contents (parts per pack):

2 x Polyurethane Bushes 1 x Spanner
2 x Stainless Steel Sleeves 1 x PTFE/Silicone Grease

Please read the complete fitting instructions and check package components before fitment. These fitting instructions are to be used as a guide and in conjunction with workshop manual.

It is recommended that:

- all work to be carried out by a licensed technician;
- all safety precautions adhered to;
- wheel alignment to be checked and adjusted as required after any suspension work.
- All fasteners must be tensioned to manufacturer's torque settings.

Fitting Instructions:

1. Remove the original bush from the arm.
 2. Clean any dirt or corrosion from the bore in the arm. Remove any sharp edges or burrs with a rounded file.
- Tip: To aid fitment, apply some washing up liquid to the bore of the arm and body of the bush.**
3. With the chamfered lip of the polyurethane bush facing the rear of the vehicle, press the bush into the arm as shown in Fig 1.
 4. Apply some of the supplied grease to the bore and mounting faces of the bush.
 5. Fit the stainless-steel sleeve into the bush with the machined end facing Forward as shown in Fig 1.
 6. For maximum camber, use the supplied spanner to rotate the sleeve so that the bore is positioned as shown in Fig 2.
 7. Refit the arm and tension all hardware to the manufacturer's Recommended torque settings.

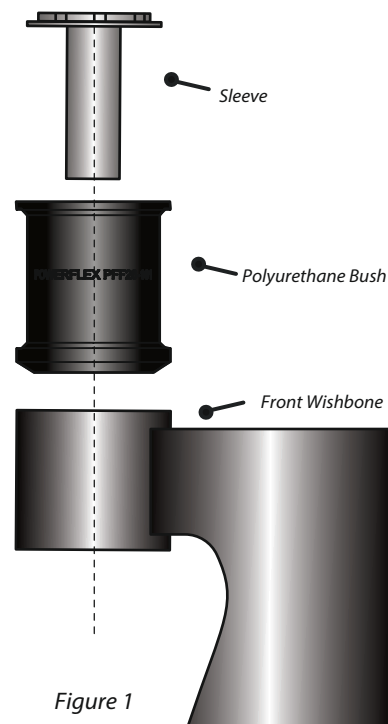


Figure 1

Offset Hole for Adjustable Camber

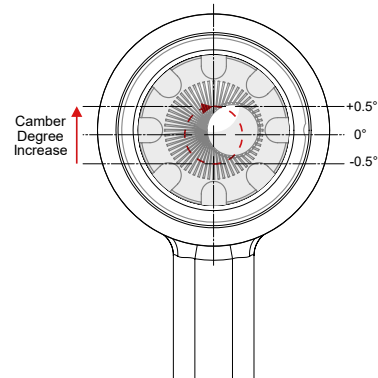


Figure 2



Figure 3