

POWERFLEX®

PART NUMBER

PFF25-1002G

DESCRIPTION

FRONT WISHBONE REAR BUSH CASTER OFFSET

INSTALLATION GUIDE

Contents (parts per pack):

2 x Polyurethane A Bushes	2 x Aluminium Brackets
2 x Polyurethane B Bushes	2 x M14 x 1.5 x 90 Bolts
2 x Aluminium Spacers	2 x M14 x 1.5 x 45 Bolts
2 x M14 Nyloc Nuts	1 x PTFE/Silicone Grease
2 x Washers	

Please read the complete fitting instructions and check package components before fitment. These fitting instructions are to be used as a guide and in conjunction with workshop manual.

It is recommended that:

- all work to be carried out by a licensed technician;
- all safety precautions adhered to;
- wheel alignment to be checked and adjusted as required after any suspension work.
- All fasteners must be tensioned to manufacturer's torque settings.

Fitting Instructions:

1. Remove the front wishbone from the vehicle.
2. Remove the original rubber bush and bracket from the arm, cleaning away any dirt or remaining rubber.
3. Press the Inner A Bush onto the arm.
4. Apply some of the supplied grease to the bore of the larger outer B Bush, that's pressed into the bracket.
5. Press the bracket including bush onto the A Bush until fully located, as shown in Fig 1. See figure 2 for left and right brackets.



Figure 1

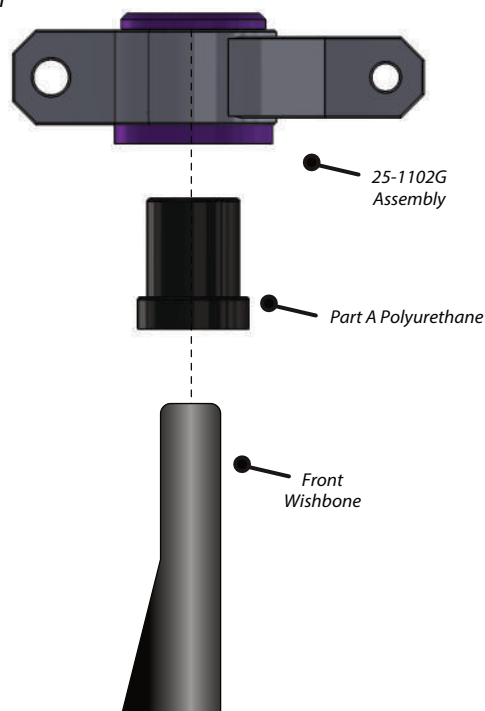
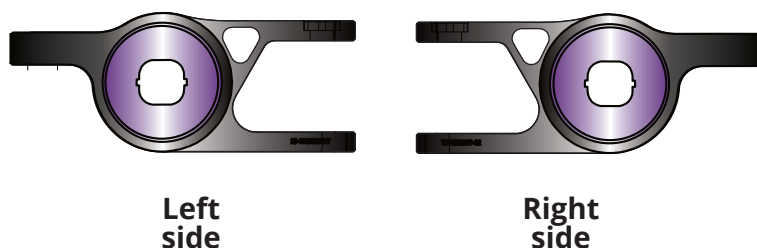


Figure 2



POWERFLEX®

PART NUMBER

PFF25-1002G

DESCRIPTION

FRONT WISHBONE REAR BUSH CASTER OFFSET

INSTALLATION GUIDE

6. Refit the wishbone to the vehicle, ensuring the front bush is presented to the subframe first. Once this is in position, raise the rear of the wishbone and fit the bracket onto the subframe as shown in Fig 4.

7. Fit the bolts in the following order. (1) The front wishbone front bush bolt (2) The shorter (M14 x 1.5 x 45) outermost bracket to body bolt (3) The longer (M14 x 1.5 x 90) inner bracket to subframe bolt, through the round aluminium spacer, into the Nyloc nut as shown in Fig 3/4. Doing so will allow some leverage of the mount to ensure the bolts line up with their corresponding holes correctly.

8. Reattach the bottom ball joint.

9. Tension all hardware to the manufacturer's recommended torque settings.

Figure 3

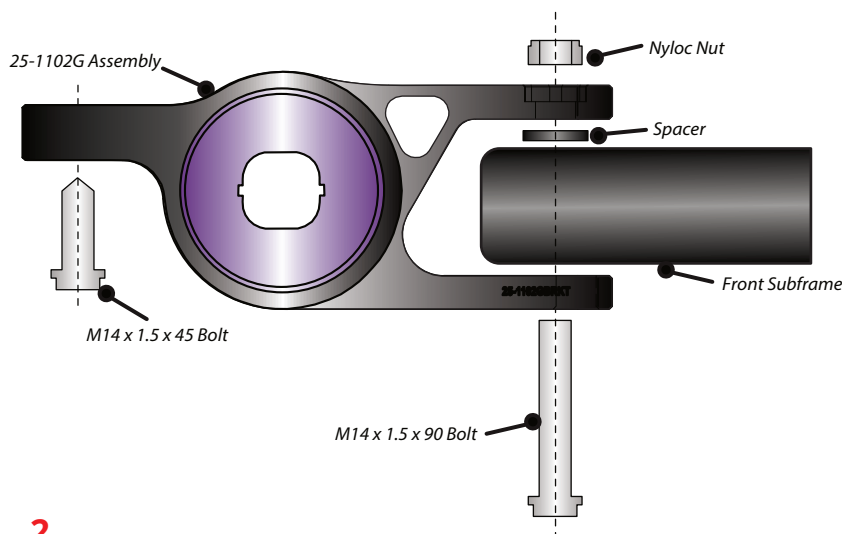


Figure 4

