

POWERFLEX®

PART NUMBER

PFF19-2201

DESCRIPTION

FRONT ARM FRONT BUSH

INSTALLATION GUIDE

Contents (parts per pack):

2 x Polyurethane Bushes 1 x PTFE/Silicone Grease
2 x Stainless Steel Sleeves

Please read the complete fitting instructions and check package components before fitment. These fitting instructions are to be used as a guide and in conjunction with workshop manual.

It is recommended that:

- all work to be carried out by a licensed technician;
- all safety precautions adhered to;
- wheel alignment to be checked and adjusted as required after any suspension work.
- All fasteners must be tensioned to manufacturer's torque settings.

Fitting Instructions:

1. Remove the original rubber bush from the front arm.
2. Clean any dirt and corrosion from the bore of the arm and file off any sharp edges.
3. With the chamfered lip of the polyurethane bush facing the rear of the car, press in the bush into the arm

Tip: It may be easier with some washing up liquid applied to the outside of the bush to ease fitting

4. Apply some of the supplied grease into the bore of the polyurethane bush and insert the stainless steel sleeve into the bush so that it sits flush.

5. Refit the arm and tension all hardware to manufacturers recommended torque settings.

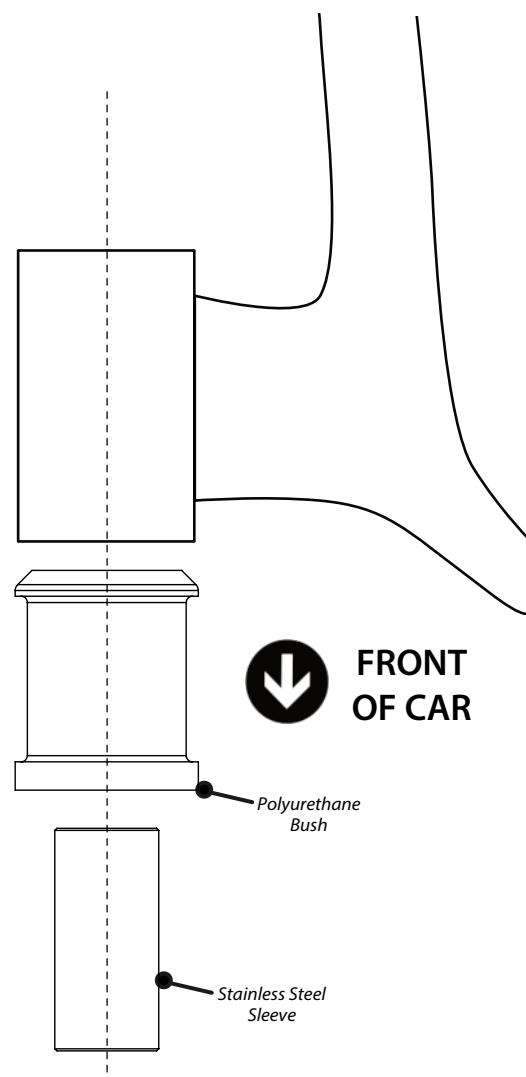


Figure 1

