

1 2 3 4 5 6

A

A

B

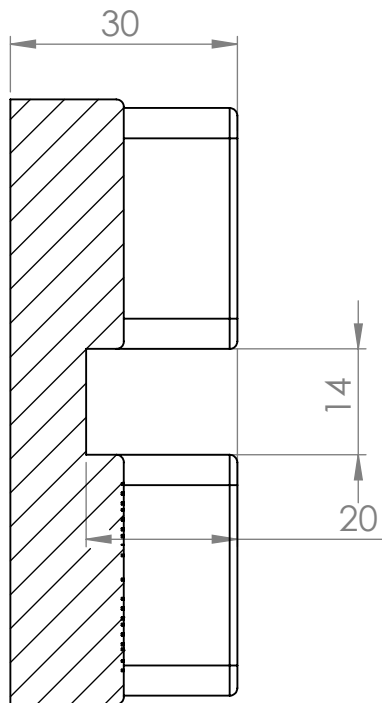
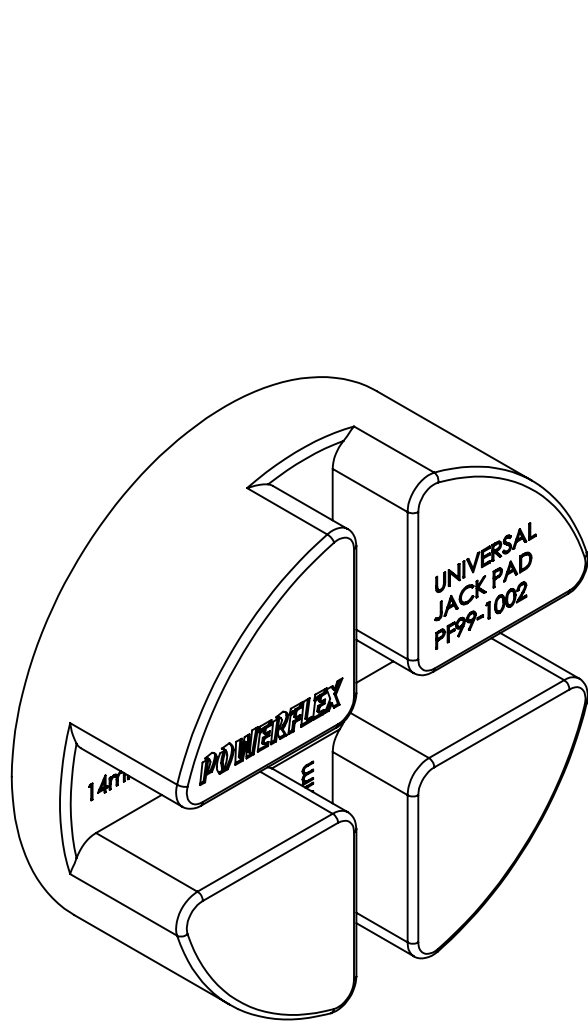
B

C

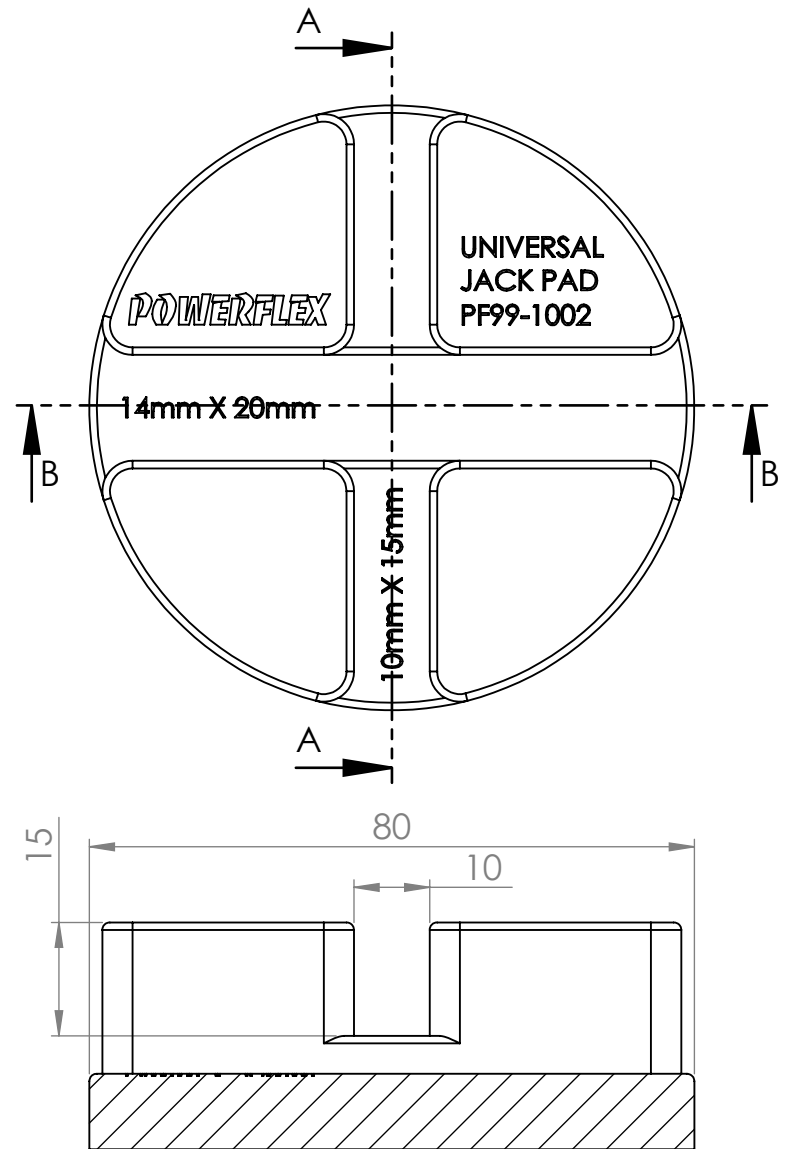
C

D

D



SECTION A-A



SECTION B-B

No	REVISION	BY	DATE	TITLE:	DWG NO:	MATERIAL:	WEIGHT:
O	ORIGINAL ISSUE	SE	06/03/2019	UNIVERSAL JACK PAD	PF99-1002	POLYURETHANE SHORE A 95 BLACK	142g
A	INCREASED SLOT DEPTH FROM 15 TO 20MM	EM	05/10/2020				
B				ALL DIMENSIONS IN MILLIMETERS UNLESS SPECIFIED OTHERWISE TOLERANCES UNLESS NOTED: ± 0.2mm ANGULAR ± 0.5°	A4 NOT TO SCALE	© COPYRIGHT. ALL RIGHTS RESERVED THIS DRAWING MUST NOT BE COPIED, REPRODUCED OR ADAPTED NOR MAY ARTICLES BE MANUFACTURED WITHOUT PRIOR WRITTEN PERMISSION OF EPTG LTD.	



1 2 3 4 5 6