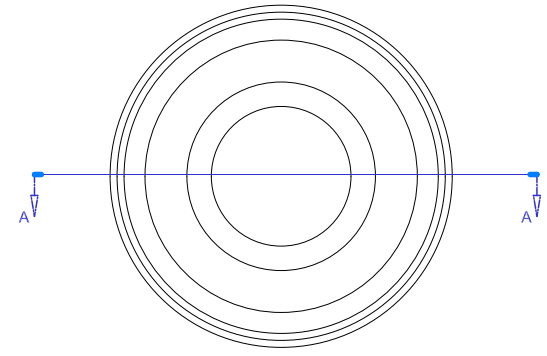


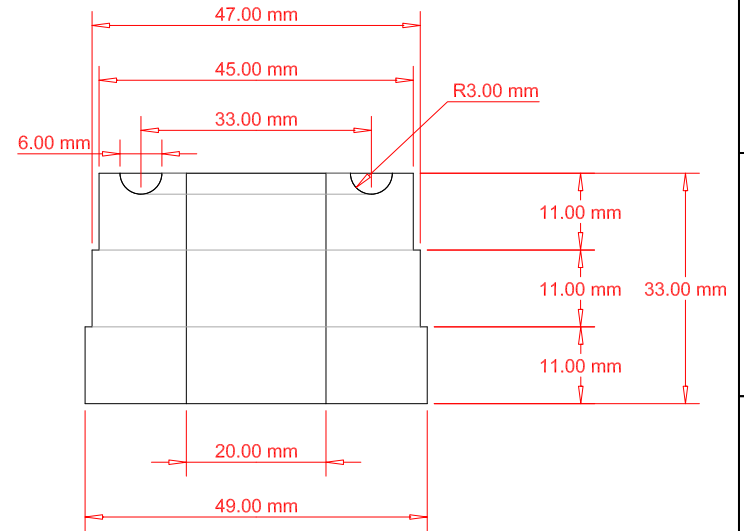
TOP VIEW




NOTES:

- 1. MATERIAL: POLYURETHANE SHORE A 70
- 2. COLOUR: YELLOW
- 3. ALL DIMENSIONS AS FINISHED PART
- 4. VOLUME: 45488 mm³
- WEIGHT: 53 grams

SECTION A:A



MACHINING, WELDING & FABRICATION
TOLERANCES UNLESS NOTED OTHERWISE
(ALL DIMENSIONS IN MILLIMETRES)
HOLE CENTRES ± 0.2
WELDING PROCESS TYPE - TIG

TOLERANCES - UNLESS NOTED
MACHINED SURFACES 0.2

 INTEGER (X) ± 0.3
 1-DECIMAL (.X) ± 0.1
 2-DECIMAL (.XX) ± 0.05
 ANGULAR ± 0.5

DESCRIPTION
UNIVERSAL BUMPSTOP

© COPYRIGHT. ALL RIGHTS RESERVED
THIS DRAWING IS STRICTLY CONFIDENTIAL AND MUST NOT BE
COPIED, REPRODUCED OR ADAPTED. NOR MAY ARTICLES BE
MANUFACTURED IN ACCORDANCE WITH THE DRAWING WITHOUT
PRIOR WRITTEN PERMISSION OF POWERFLEX.



MATERIAL
POLYURETHANE SHORE A 70
DRAWING No. BS001
REV 0

ORIGINAL ISSUE	P.S.	03/08/10
REVISION	BY	CHKD

1 2 3 4 5 6 7 8